

8

7

6

5

4

3

REVISION HISTORY				
ZONE	REV	DESCRIPTION	DATE	APPROVED
	A	1) INITIAL PRODUCTION RELEASE	MM-DD-YY MM-DD-YY	XXX XXX

D

D

C

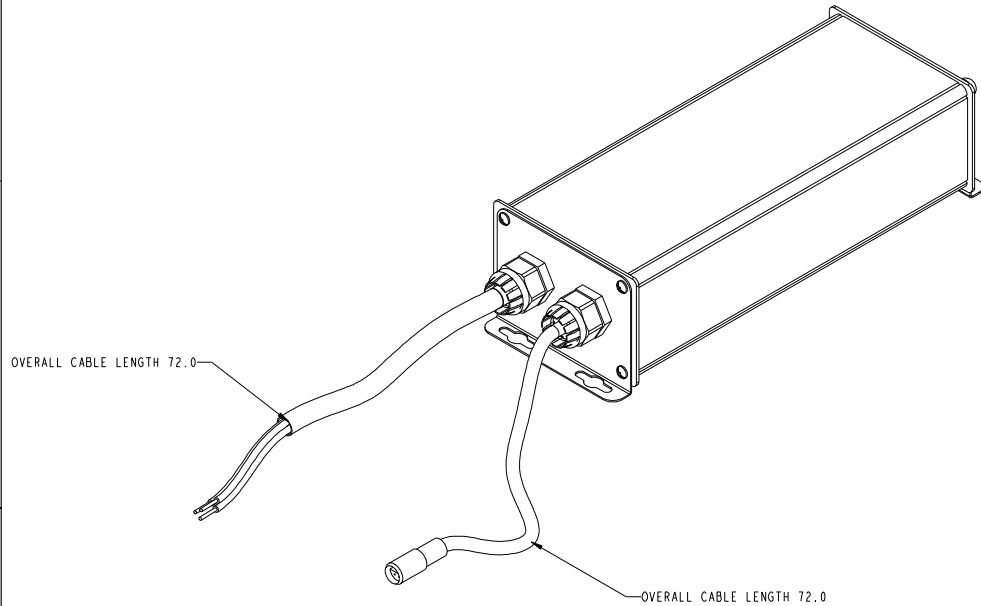
C

B

B

A

A



OVERALL CABLE LENGTH 72.0

OVERALL CABLE LENGTH 72.0

THIS DOCUMENT IS THE PROPERTY OF TRIATOMIC ENVIRONMENTAL INC. AND IS DELIVERED ON THE EXPRESS CONDITION THAT IT AND THE INFORMATION CONTAINED HEREIN ARE NOT TO BE USED, DISCLOSED, OR REPRODUCED IN WHOLE OR IN PART FOR ANY PURPOSE WITHOUT THE EXPRESS WRITTEN CONSENT OF TRIATOMIC ENVIRONMENTAL INC., AND THAT NO RIGHT IS GRANTED TO DISCLOSE OR SO USE ANY INFORMATION CONTAINED IN SAID DOCUMENT.

MATERIAL:		THIRD ANGLE PROJECTION				UV TRIATOMIC ENVIRONMENTAL INC. JUPITER, FLORIDA 33458	
UNLESS OTHERWISE SPECIFIED ALL DIMENSIONS ARE IN INCHES		DFTR		SIZE		DWG NO.	
DIMENSIONING & TOLERANCING ASME Y14.5M-1994		CHKR		D		TUV-1D-1	
		ENGR		SCALE 29/32		REV -	
		APPRD				SHEET 1 OF 3	

8

7

6

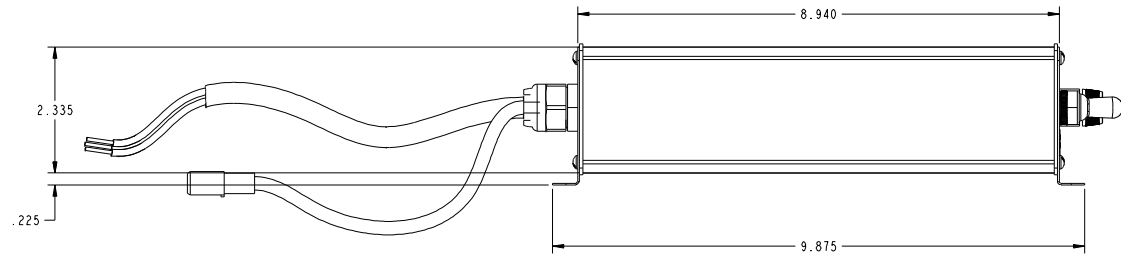
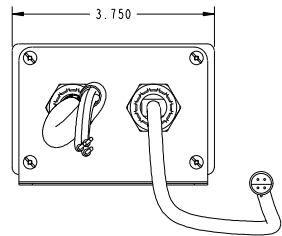
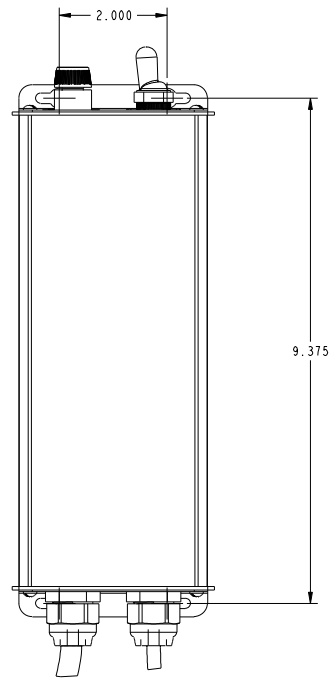
5

4

3

2

1



THIS DOCUMENT IS THE PROPERTY OF TRIATOMIC ENVIRONMENTAL INC. AND IS DELIVERED ON THE EXPRESS CONDITION THAT IT AND THE INFORMATION CONTAINED HEREIN ARE NOT TO BE USED, DISCLOSED, OR REPRODUCED IN WHOLE OR IN PART FOR ANY PURPOSE WITHOUT THE EXPRESS WRITTEN CONSENT OF TRIATOMIC ENVIRONMENTAL INC. AND THAT NO RIGHT IS GRANTED TO DISCLOSE OR SO USE ANY INFORMATION CONTAINED IN SAID DOCUMENT.

SIZE	DWG NO.	REV
D	TUVP-1D-1	-
SCALE 29/32		SHEET 3 OF 3