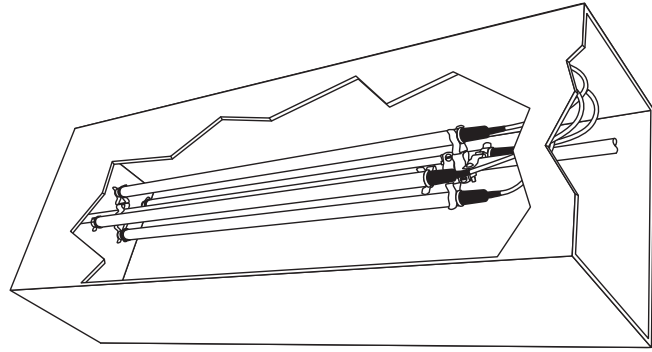




FRESH-AIRE UV AIRBORNE DUCT KIT

INSTALLATION GUIDE (REQUIRES FRESH-AIRE UV CS SYSTEM)



Combine the Airborne Duct Kit with a CS Dual system for maximum airborne disinfection. Kits for 2, 4, and 6 lamps (1, 2, or 3 CS Dual systems) are available.



WARNING
PROTECT EYES FROM UV LIGHT
TURN OFF UNIT OR DISCONNECT
BEFORE SERVICING



IMPORTANT!

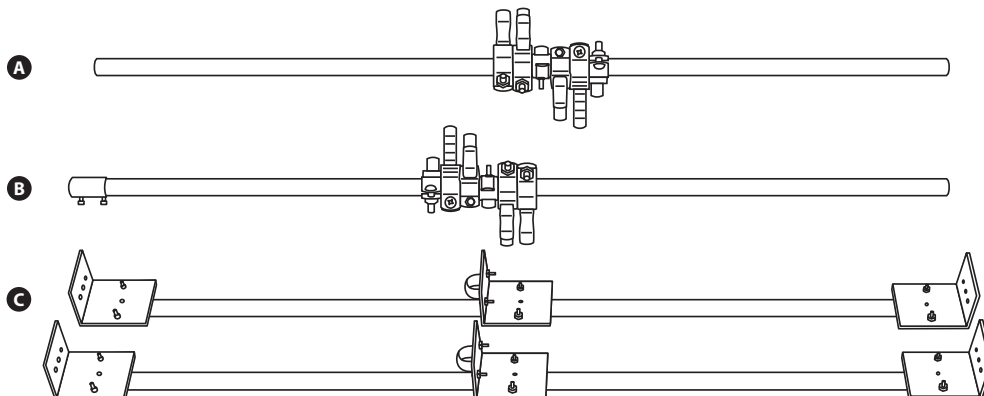
- Qualified technicians should install this product*
- Install in accordance with relevant building codes
- Read instructions carefully including safety warnings

*Installation of this product by anyone other than licensed HVAC or electrical contractors voids warranty.

The Airborne Duct Kit allows the Fresh-Aire UV CS UVGI system to be installed inside an HVAC duct for maximum airborne disinfection. The Airborne Duct Kit is usually installed in an axial configuration parallel to the direction of air flow but can also be used in a grid configuration across the duct.

Parts Included

- A** Lamp Support Tubing
- B** Lamp Support Tubing with Coupling
- C** Perpendicular Braces (2)



WWW.FRESHAIREUV.COM

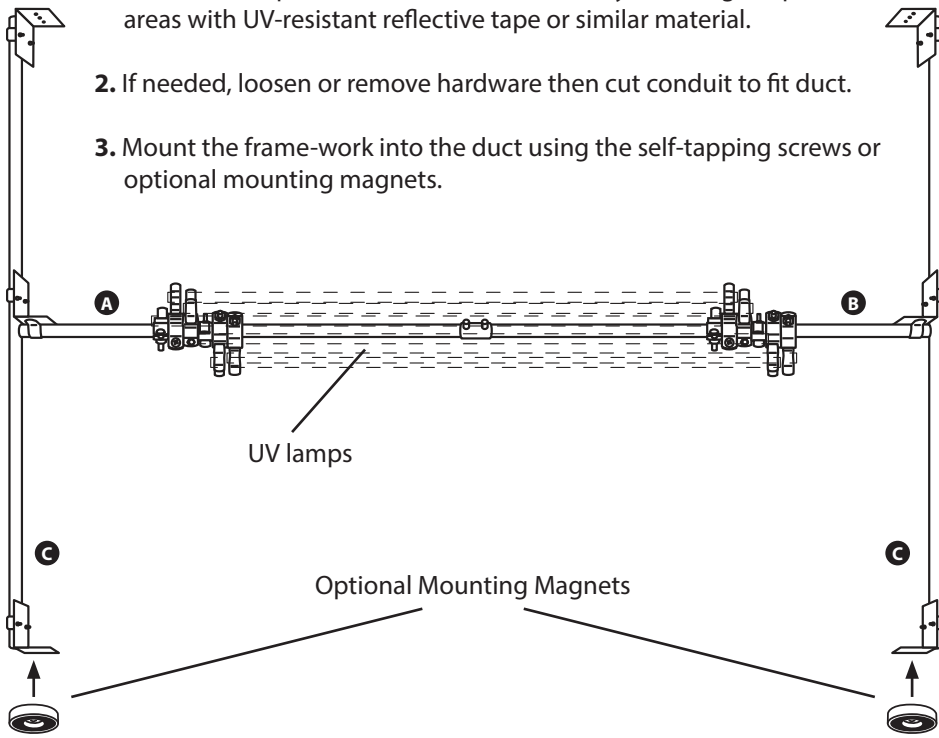
TUVC-ADS-MAN 081720 © Fresh-Aire UV



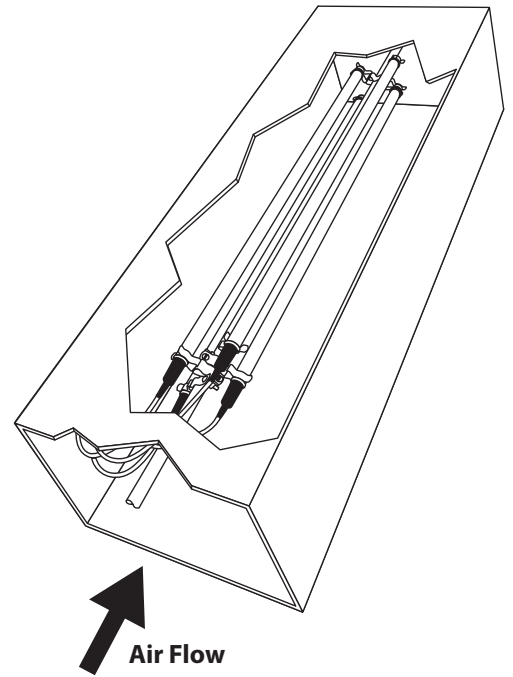
Made in USA

System Configuration A: In-Line With Air Flow (pre-assembled parts are ready for this configuration)

1. Cut an access panel into the duct. If necessary cover high exposure areas with UV-resistant reflective tape or similar material.
2. If needed, loosen or remove hardware then cut conduit to fit duct.
3. Mount the frame-work into the duct using the self-tapping screws or optional mounting magnets.

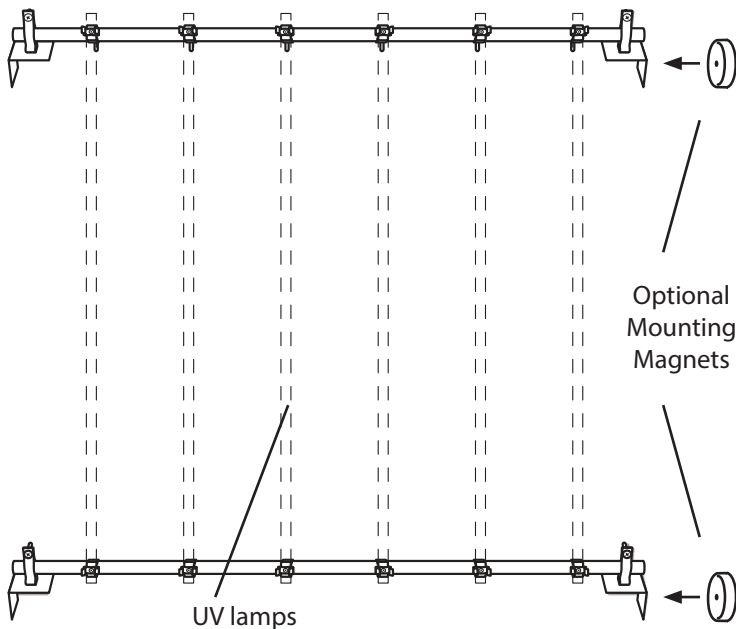


Configuration A Assembled



System Configuration B: Diagonal To Air Flow

1. Cut an access panel into the duct. If necessary cover high exposure areas with UV-resistant reflective tape or similar material.
2. Remove hardware then cut conduit to fit duct.
3. Re-attach hardware in the configuration below.
4. Adjust the angle of the mounting brackets so the UV lamps will cross the air-stream diagonally. Mount the frame-work into the duct using the self-tapping screws or optional mounting magnets.



Configuration B Assembled

