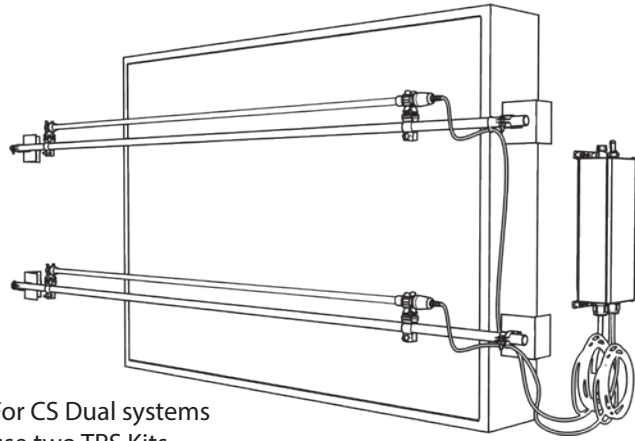




# FRESH-AIRE UV TRS KIT

## INSTALLATION GUIDE (REQUIRES FRESH-AIRE UV CS SYSTEM)



For CS Dual systems  
use two TRS Kits.



**WARNING**  
PROTECT EYES FROM UV LIGHT  
TURN OFF UNIT OR DISCONNECT  
BEFORE SERVICING



### IMPORTANT!

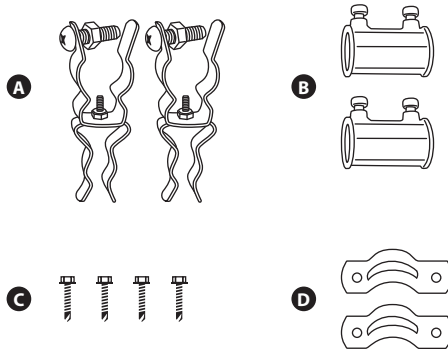
- Qualified technicians should install this product\*
- Install in accordance with relevant building codes
- Read instructions carefully including safety warnings

\*Installation of this product by anyone other than licensed HVAC or electrical contractors voids warranty.

The EMT Express Kit provides a convenient supporting framework for the Fresh-Aire UV CS System using 1/2" EMT tubing (not including). For CS Dual systems use two TRS Kits.

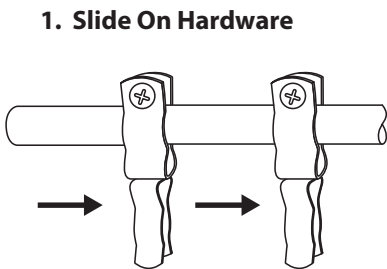
### Parts Included

- A** Lamp Clip/Conduit Clamps
- B** 1/2" Pipe Couplings
- C** Sheet metal Screws
- D** 1/2" Pipe Straps

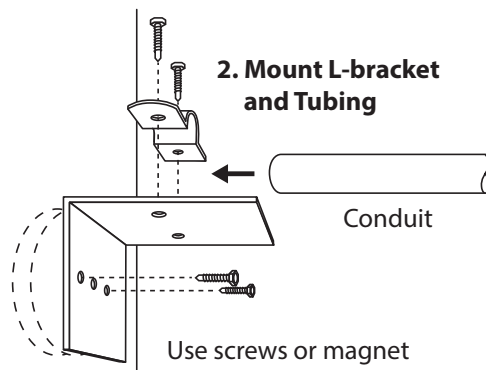


### 1 Assemble Conduit Framework

1. Measure and cut tubing to length then slide on conduit/lamp clamps (do not fully tighten bolts yet).



#### 1. Slide On Hardware

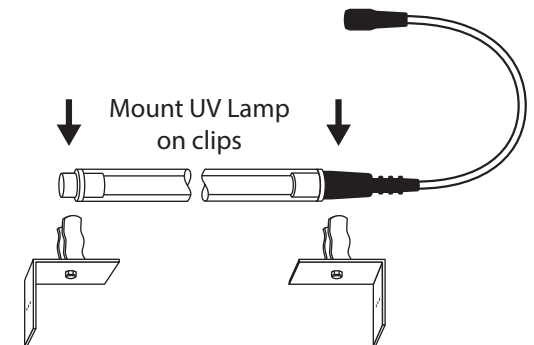


#### 2. Mount L-bracket and Tubing

2. Mount the L-bracket and tubing as shown. Mount L-bracket to air handler wall using screws or magnet (galvanized metal only).

### 2 Install UV Lamps

- Snap UV Lamps into the Lamp/conduit Clamps. Be sure to clamp to the rubber lamp connector on one end and the ceramic lamp tip on the other end. **DO NOT** clamp onto the lamp glass.



# WWW.FRESH-AIREUV.COM

TRS KIT MANUAL 082520 © Fresh-Aire UV



Made in USA