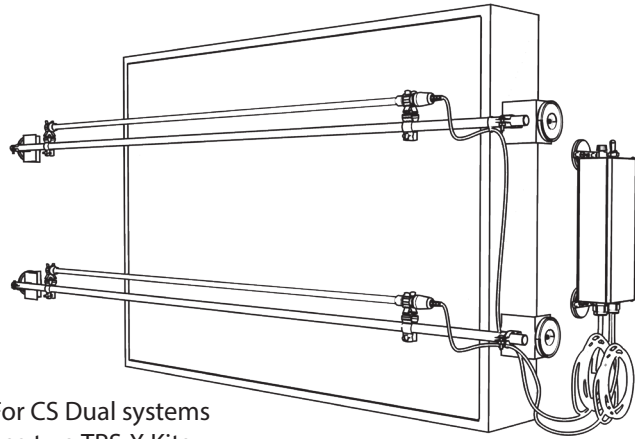


TRS-X KIT

INSTALLATION GUIDE
(REQUIRES FRESH-AIRE UV CS SYSTEM)



For CS Dual systems use two TRS-X Kits.



WARNING
PROTECT EYES FROM UV LIGHT
TURN OFF UNIT OR DISCONNECT
BEFORE SERVICING



IMPORTANT!

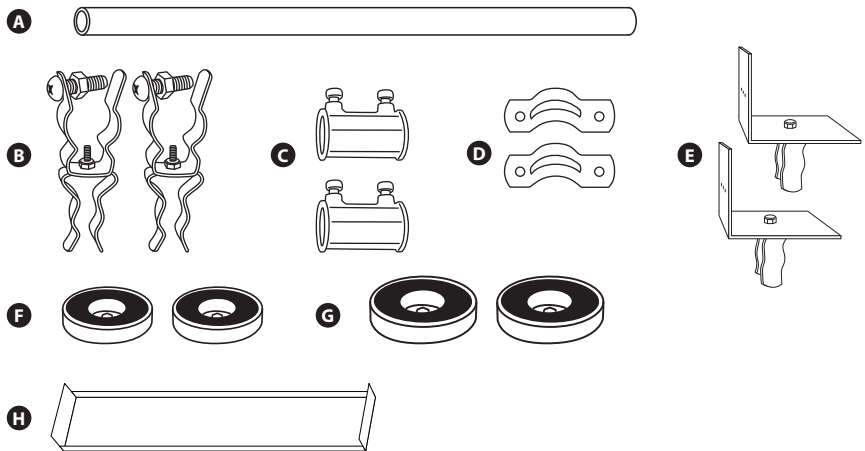
- Qualified technicians should install this product*
- Install in accordance with relevant building codes
- Read instructions carefully including safety warnings

*Installation of this product by anyone other than licensed HVAC or electrical contractors voids warranty.

The TRS-X Kit provides a convenient supporting framework for the Fresh-Aire UV CS System. For CS Dual systems use two TRS-X Kits.

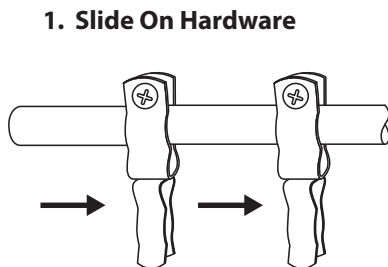
Parts Included

- A** 1/2" EMT Conduit (40")
- B** Lamp Clip/Conduit Clamps
- C** 1/2" Pipe Couplings
- D** 1/2" Pipe Straps
- E** L - Mounting Brackets
- F** Power Supply Magnets
- G** Bracket Magnets
- H** 12" Standoff

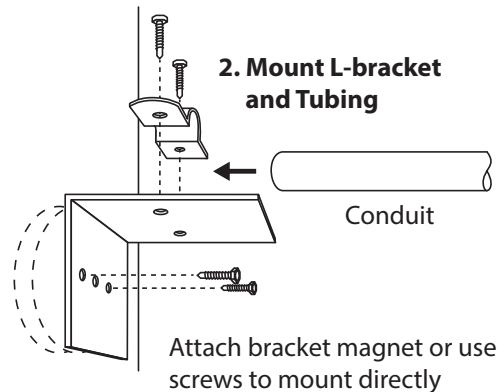


Assemble Conduit Framework

1. Measure and cut tubing to length then slide on conduit/lamp clamps (do not fully tighten bolts yet).

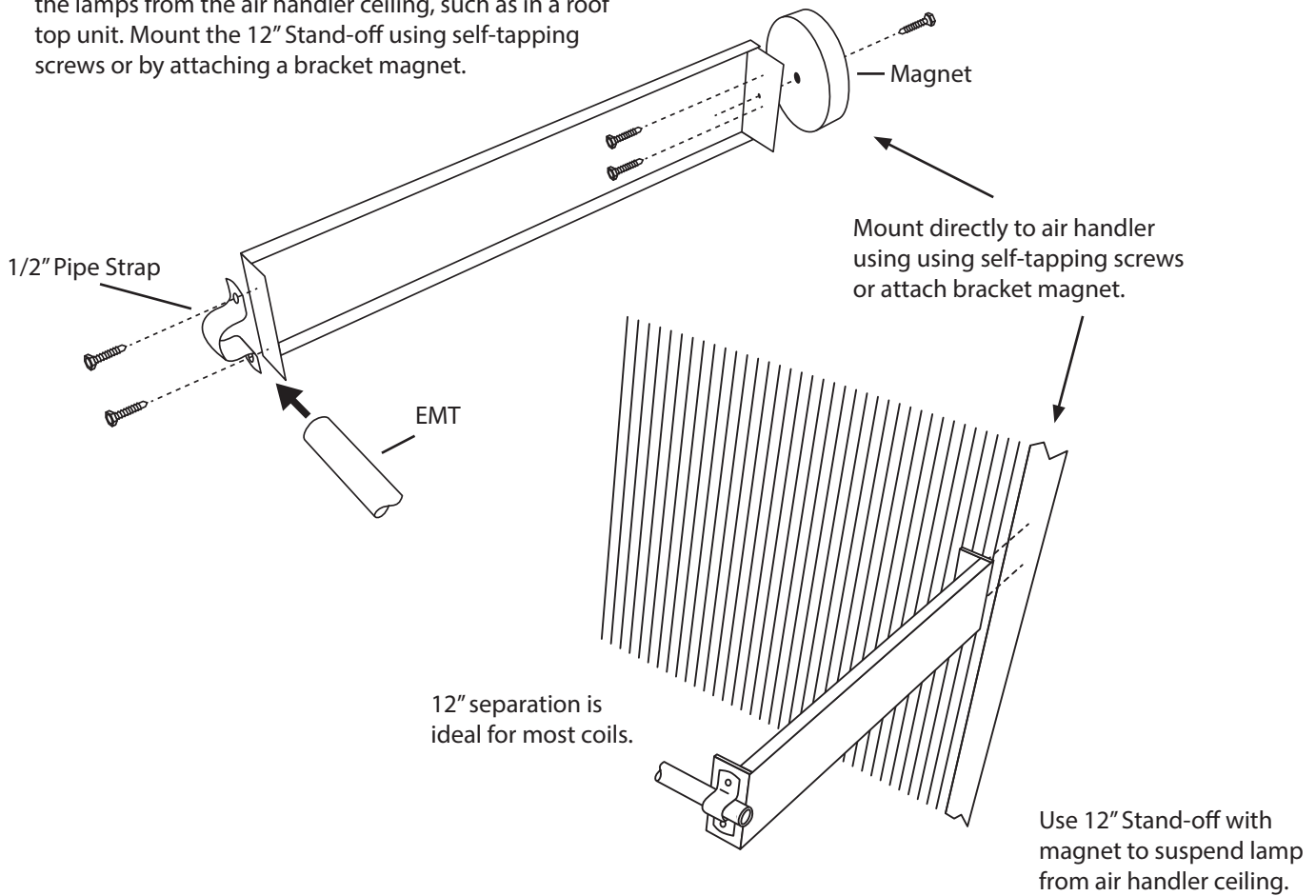


2. Mount the L-bracket and tubing as shown. Mount L-bracket to air handler wall using screws or magnet (galvanized metal only).



Assemble Conduit Framework cont.

3. When needed, use the 12" Stand-off on the near side to create separation between lamps and coil or to suspend the lamps from the air handler ceiling, such as in a roof top unit. Mount the 12" Stand-off using self-tapping screws or by attaching a bracket magnet.



Typical RTU installation

Use an L-Bracket (mounted with magnet or screws) to secure the assembly to the air handler far side wall.

