

PURITY ULTRA



HEPA/UV SYSTEM



INDOOR AIR QUALITY

Purity Ultra address biological and particulate contaminants in indoor air. This versatile unit can be integrated into the HVAC system or operate as a stand-alone or wall-mounted system. Purity Ultra delivers hospital-level disinfection and submicron (PM 2.5) particulate removal. It is designed to significantly improve indoor air quality where it is most critical. Purity Ultra includes HEPA filtration and patent-pending onboard and remote sensors. Standard wall plug 120V/220V, 50/60Hz.

HOUSING

- Premium, easy-to-clean stainless steel



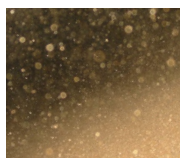
FEATURES

- Stainless steel housing
- 450 CFM blower
- Includes award-winning APCO® technology
- HEPA filtration
- Pressure sensors
- Air quality sensors allow for real-time IAQ monitoring
- High-output UVC germicidal options
- Multiple safety features & interlocks
- Quiet operation
- Medical / Industrial grade

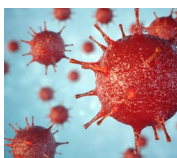


SMART LCD DISPLAY

- Fan speed indication
- Air quality indication
- Chamber pressure
- Lamp status
- Days left counter for replacement parts
- Visual and audible alarms



PARTICULATES



VIRUSES



BACTERIA



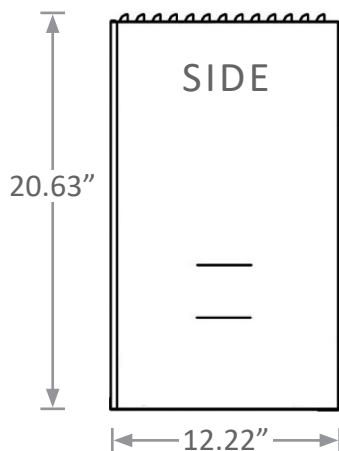
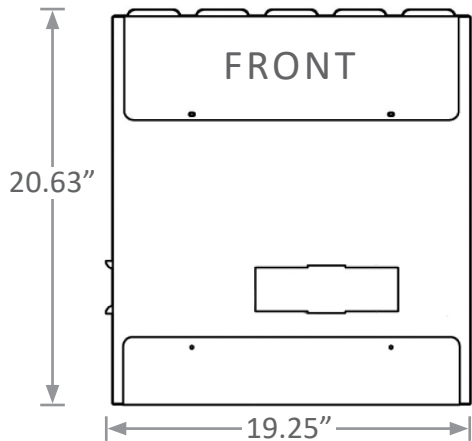
WALL MOUNT

PURITY ULTRA

HEPA/UV SYSTEM



UNIT DIMENSIONS



PART NUMBERS

TUV-PHE
Electric: 110 VAC

TUV-PHE-CE
Electric: 220 VAC

System Specs		
UV Lamp	Type: High-output 254 nm germicidal UV-C Life: 18000 hours	
Dimensions	Enclosure: 20 1/2"W x 19"H x 12"D	
Weight	39 lbs	
Housing	Wall-mounted with front panel access 22 gauge stainless steel	
ACF Pre-filter	Removable G4 polyester fiber activated carbon (500g) pre-filter captures larger particles and other airborne pollutants. Dimensions: 17 3/8"W x 12"H x 1 5/8"D	
HEPA Filter	Removable filter captures 99.97% of micro-organisms > 0.3µm Dimensions: 17 3/8"W x 10 3/8"H x 3 15/16"D	
Electrical	120V 50/60Hz or 220V 50/60Hz	
Fan	Adjustable speed 450 CFM UL Certified	
Remote Functions (optional)	On/off Increase/decrease fan speed	
Air Quality Sensor	Particle sensor capable of detecting fine particle sizes of approximately 1µm and larger. Detectable range of concentration is: 0 ~ 1.4mg/m3.	
Warranty	Housing Fan Electrical Ballast HEPA Filter ACF Pre-filter UV Lamp(s)	5 Years 3 Years 1 Years Lifetime 90 Days 90 Days 2 Year
Replacement Part Numbers	ACF Pre-filter HEPA Filter UV-C Lamp(s) Ballast Housing Stainless	TUV-BNX-ACFPF TUV-BNX-HF TUVCL-215-HO TUV-PHE-BUV37 TUV-PHE-SSH
Replacement Kit Part Numbers	Includes: ACF PRE-Filter HEPA Filter UV-C Lamp(s)	TUV-PHE-RK

EPA
Est. Reg. No.
075179-FL-002

WWW.FRESH-AIREUV.COM  MADE IN USA

SALES@FRESH-AIREUV.COM

800-741-1195